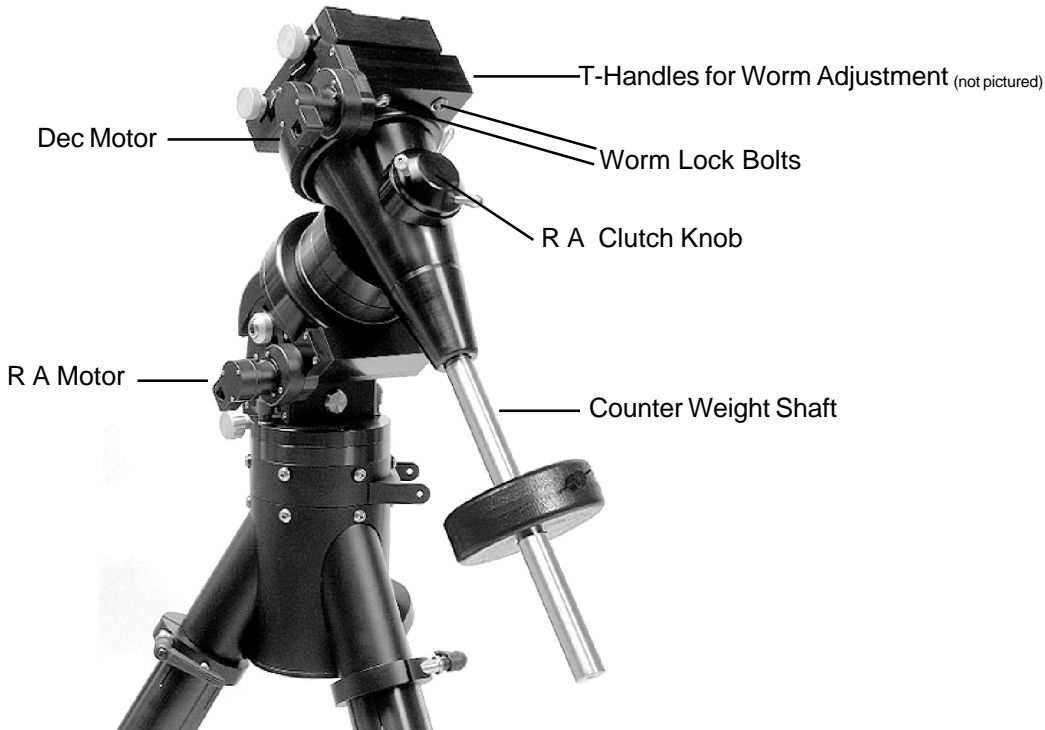
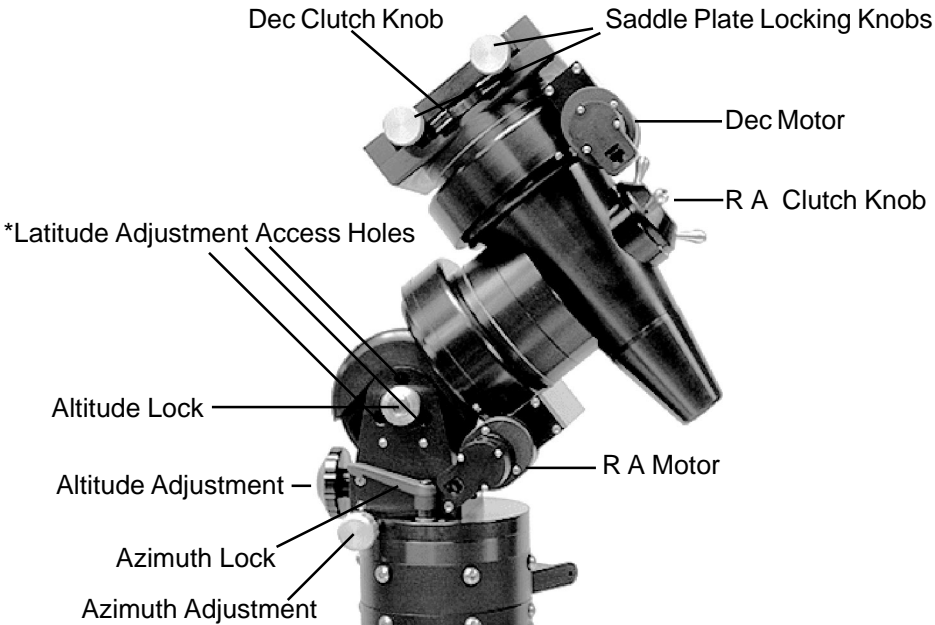


# LOSMANDY TITAN EQUATORIAL MOUNT

## Component Description



\*The Titan is shipped with its Latitude set at 20-42 degrees. For other degrees, loosen altitude lock, remove six bolts through the access holes (3 per side), move head in the desired direction until next available hole pattern aligns, re-insert six bolts.



## LOSMANDY

A Division of Hollywood General Machining  
1033 N. Sycamore Ave. Hollywood, CA 90038

Tel: (323) 462-2855 Fax: (323) 462-2682

website: [www.losmandy.com](http://www.losmandy.com) e-mail: [info@losmandy.com](mailto:info@losmandy.com)